



**Cycle Storage, Racking
and Security products**

Shelford Design Ltd.

P.O. Box 255, Chestfield,
Whitstable, Kent, CT5 3XW

t: 07767 484 465 f: 01227 791 853

e: sales@tuskstore.com w: www.tuskstore.com

BULL RACK
www.tuskstore.com

- Also available:
- TUSK Hook 'n' Hang vertical bike storage
 - TUSK Excel high security anchors
 - TUSK Modular bike storage systems
 - TUSK Multihanger overhead storage

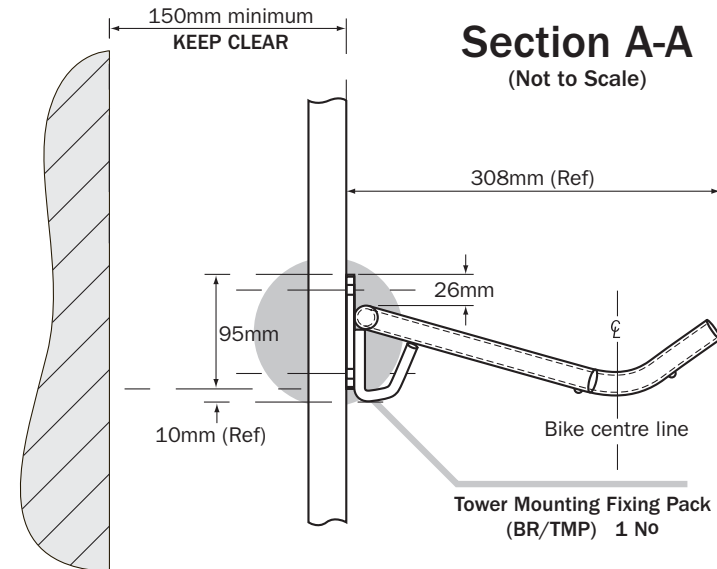
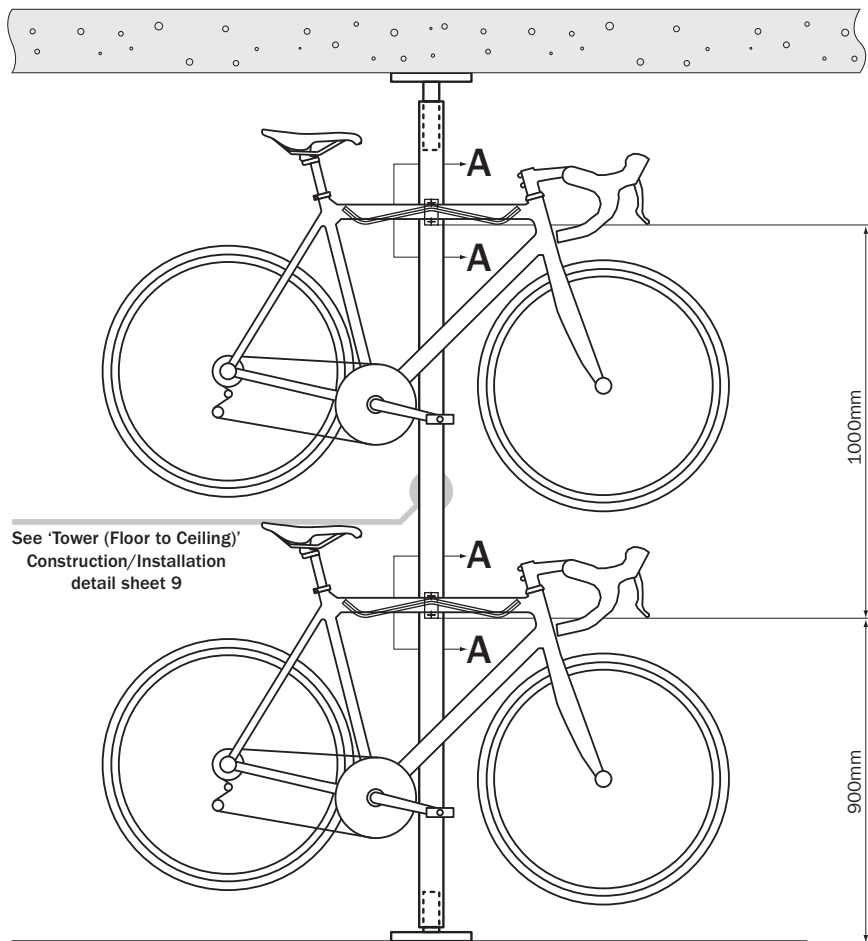
For more details, see our website at www.tuskstore.com

Product Information: BULL RACK 2 BIKE TOWER ASSEMBLY

2

Locations for use: • Car/Bike Parks • Workplace and Business Premises • Basement Bike Store • Garages • Residential/Community areas

Items Required: • Bull Rack (B/Rack) Qty: 2 • Fixing Pack (BR/TMP) Qty: 2



INSTALLATION:

1. Select the lower location height so that the Bull Rack bars support under the top tube of the bike with the wheels of the bike a minimum of 50mm above the ground. When selecting a higher location for the Bull Rack remember that the bike has to be lifted up and over the upturned horns of the Bull Rack and the bike may weigh 20 kilo plus.
2. **Caution: Wear suitable eye protection when drilling holes.**
3. Mark the hole locations and drill through square to the face 8.5mm dia at each location
4. Assemble the Bull Rack(s) with the 2 bolts supplied with a washer under the nut. Use an M8 socket or box spanner to tighten. Do not overtighten bolts. Check both supports are level.
5. Tap into place over the head of each bolt a Hafren Armour Ring. Trim off any excess bolt thread protruding the nut. Bond a black plastic domed cover over each nut.

If in doubt on any aspect contact us by email or call 07767 484 465.